

GESR10 Heavy Duty Full Extension Slide

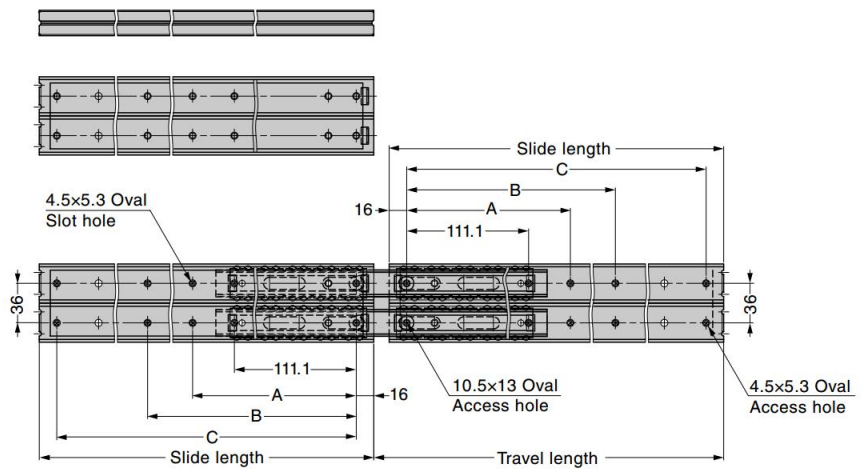
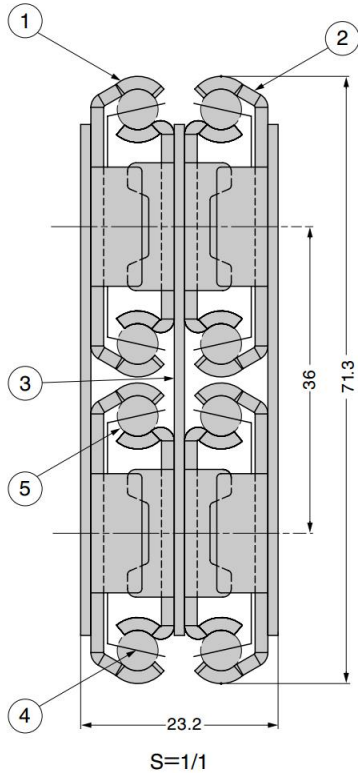
Max load 272kg

Features

- Full extension (3 members)
- Passed 50,000 life cycle test

Recommended Screws

- M4 round head screw



No.	Part Name	Material	Finish
①	Outer Member	Stainless Steel (SUS304)	Polished
②	Inner Member		
③	Intermediate Member		
④	Retainer		-
⑤	Balls		

Sold in pieces

Part No.	Slide Length	Travel Length	A	B	C	Load Capacity (pair)	
GESR10-12	305	319	-	149.2	273	2,667 N	272 kg
GESR10-14	355.8	369.8	-	200	323.8	2,628 N	268 kg
GESR10-16	406.6	420.6	-	250.8	374.6	2,540 N	259 kg
GESR10-18	457.4	471.4	212.7	301.6	425.4	2,452 N	250 kg
GESR10-20	508.2	522.2	238.1	352.4	476.2	2,363 N	241 kg
GESR10-22	559	573	263.5	403.2	527	2,246 N	229 kg
GESR10-24	609.8	623.8	288.9	454	577.8	2,118 N	216 kg
GESR10-26	660.6	674.6	314.3	504.8	628.6	1,961 N	200 kg
GESR10-28	711.4	725.4	339.7	555.6	679.4	1,785 N	182 kg